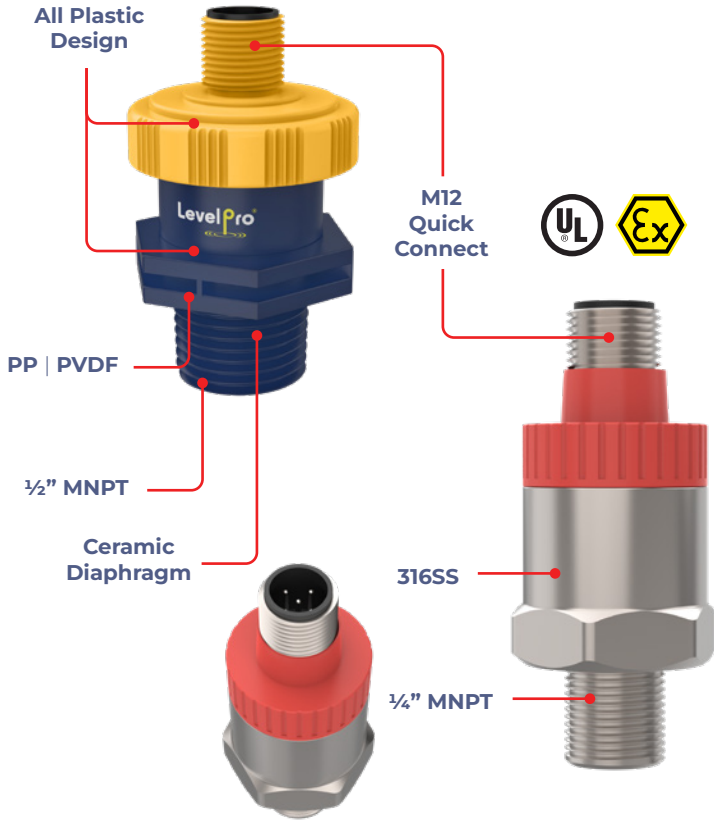


# Truflo® — LP50 Series

## Pressure Sensor Transmitter | Switch



### Features

- ✓ PP | PVDF | 316SS Body
- ✓ 0 – 30 | 0 – 50 | 0 – 100 | 0-150 Psi\*
- ✓ 4-20mA Output | 2-Wire Loop Powered
- ✓ Ceramic Sensing Diaphragm
- ✓ 0.5% F.S | High Accuracy
- ✓ Excellent Chemical Resistance

The **LP50 Pressure Sensor Transmitter** was designed to measure pressure or level within industry's most demanding corrosive process applications. When measuring pressure It can be mounted vertically or horizontally, and can easily be installed into a threaded process pipe tee fitting.

Perfect for tough industrial applications, the LP50 implements a state of the art ceramic measuring principle that changes the physical pressure (which equates to no more than a few microns), into a linear electronic signal that can be measured. This minimal deformation applies negligible material strain on the ceramic electronic pressure-sensing diaphragm, resulting in high resistance to alternating loads and long-term durability.

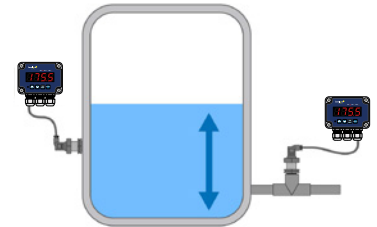
### Technical Specifications

Range*	0-30psi   0-50psi   0-100psi   0-150psi*
Medium	H <sub>2</sub> O   Corrosive Liquid   Gases
Accuracy	0.5% F.S
Power Supply	18 - 36VDC
Output Signal	4-20mA   2 Wire   3 Wire
Medium Temperature	-35 – +85°C
Environment Temperature	-40 – +80°C
Store Temperature	-40 – +80°C
Temperature Effect	±0.02% FS
Pressure Connection	½" MNPT   FNPT   ¼" MNPT (SS)
Electrical Connection	M12 Quick Connect

\*Please consult factory for alternative pressure ranges.

### Applications

- ✓ Chemicals
- ✓ Acids | Bases
- ✓ Tank Level
- ✓ Industrial Process Piping
- ✓ Vapor Pressure
- ✓ Leak Detection Equipment



### Model Selection

LP50 – Pressure Sensor Transmitter   Switch		
Size	Part Number	Material
½" MNPT	LP50-PP-M-X	PP
½" MNPT	LP50-PF-M-X	PVDF
¼" MNPT	LP50-SS-M-X	316SS
½" FNPT	LP50-PP-F-X	PP
½" FNPT	LP50-PF-F-X	PVDF

X = Pressure Range

30 ▶ 0 - 30 Psi

100 ▶ 0 - 100 Psi

Consult Factory for Alternative Pressure Ratings

50 ▶ 0 - 50 Psi

150 ▶ 0 - 150 Psi



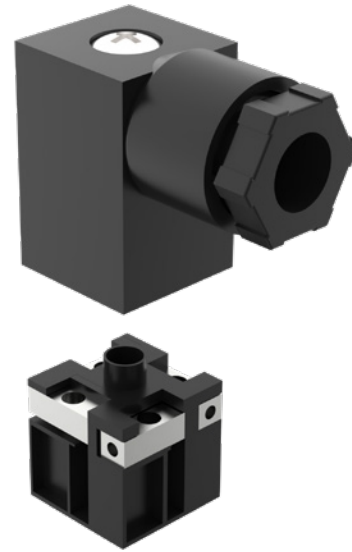
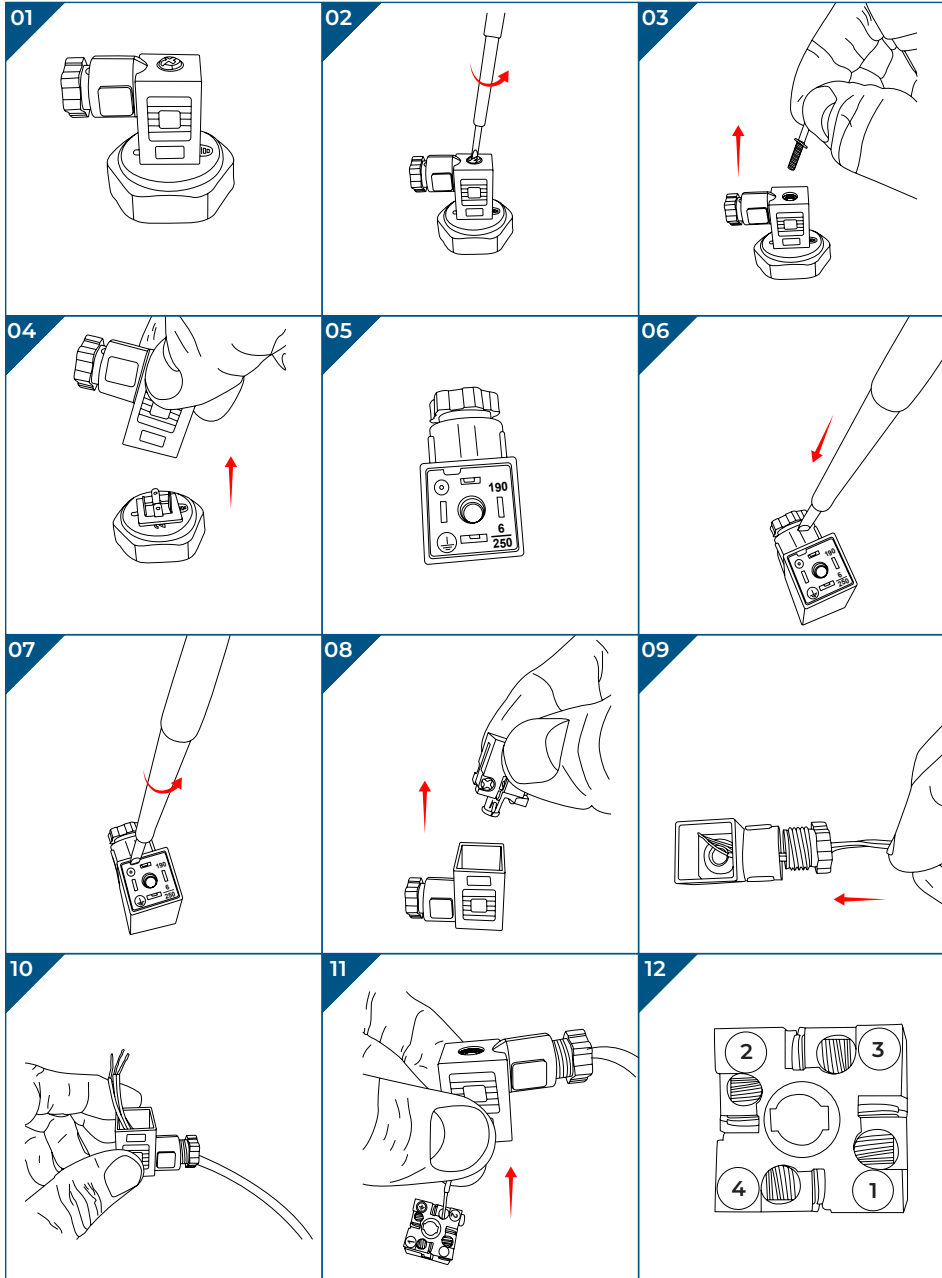
# Truflo® — LP50 Series Pressure Sensor Transmitter | Switch

## M12 Connection (std.)

Pin 1: 4-20mA + (Brown)

Pin 2: 4-20mA - (Blue)

## Hirschmann DIN Connection (opt.)



Pin 1: 4-20mA +  
Pin 2: 4-20mA -  
Pin 2: Ground