

ST-730 Series Inline Turbidity Sensors

Product Description

The ST-730 Series of turbidity sensors are designed for a wide range of turbidity monitoring in various industrial and environmental water applications. Each device is configured with a specific scale for turbidity (NTU) detection while using Warm White Light and InfraRed with a 90° surface scatter optical channel configuration, ranging from as low as 1NTU to as high as 10,000NTU. The ST-730 Series offer a robust sensor platform design with a high tolerance to fouling, particulate and air bubble challenges compared to alternative turbidity meters.

The ST-730 Series offer a combination of 4–20mA as well as RS-485 Modbus output signals and is Bluetooth® 5.0 enabled for wireless cleaning & calibration when used with the MA-WB or Power-PACK Series of Bluetooth® Adapters & the uPyxis® app. The ST-730 Series is provided in CPVC with the standard ST-001 inline 3/4inch FNPT tee assembly, 1.5m bulk-head cable with quick adapter, and a 1.5m flying lead cable with quick adapter for rapid wiring to any microprocessor, PLC or DCS system. The ST-730SS is offered in 304L stainless steel with 3/4inch FNPT ports for high pressure applications.



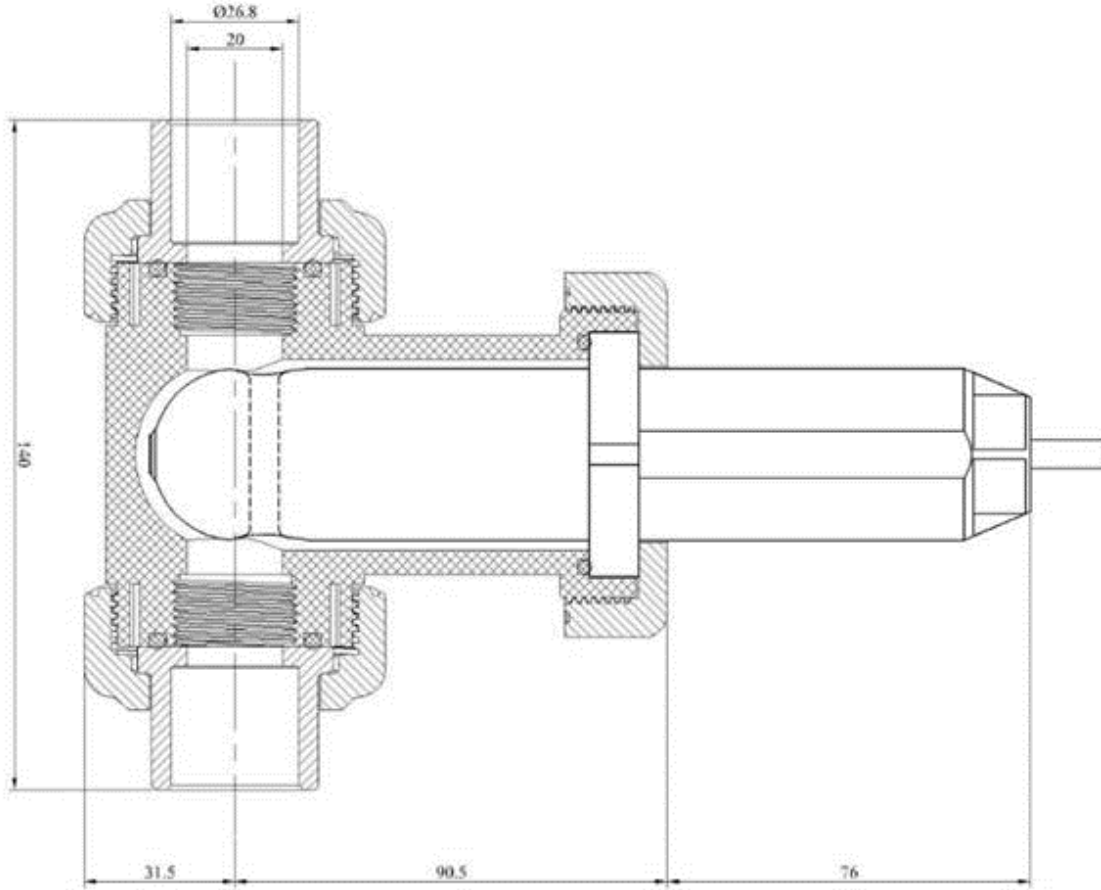
Contact Us at info@pyxis-lab.com for More Information...

Specifications

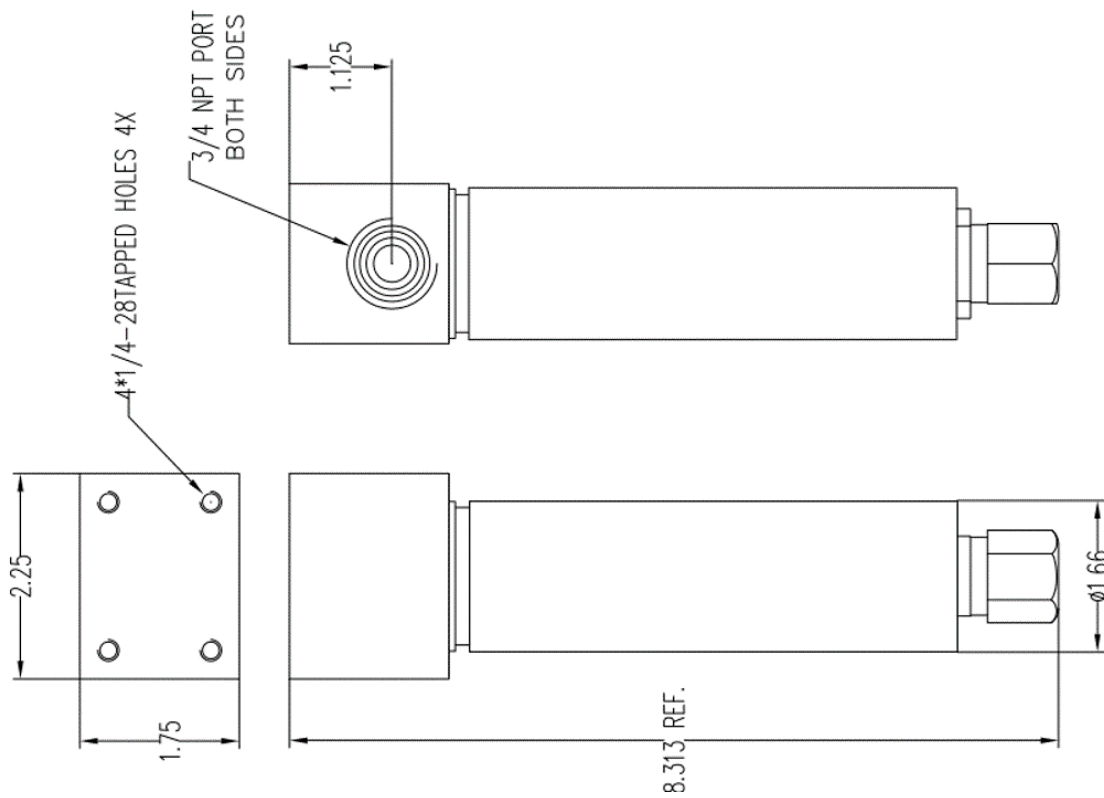
Item	ST-730	ST-730B	ST-731	ST-735	ST-730SS
Part Number	53201	53202	53505	53204	50626
Range (NTU)	0–100	0–1,000	0–10	0–10,000	0–100
Resolution (NTU)	0.1 NTU	1 NTU	0.05 NTU	10 NTU	0.1 NTU
Accuracy	±2% of Reading				
Method	Nephelometric Turbidity Units (NTU)				
Light Source	White	White <100 Infrared >100	White	White <100 Infrared >100	White
Light Format	LED				
Power Supply	22–26VDC, Power Consumption - 1W				
Outputs	Isolated - 4–20mA Analog, Isolated RS-485 Digital				
Dimension	6.8in (172.7mm) L, 1.44in (36.6mm) D				
Weight	170g (0.37lbs)				1,148g (2.5lb)
Installation	ST-001 Tee with 3/4in FNPT				3/4in FNPT
Material	UPVC				304SS
Pressure	100psi (6.9Bar)				290psi (20Bar)
Temperature	Operation 40–120 °F (4–49 °C) \ Storage 20–150 °F (-6–66 °C)				
Calibration	Two-Point Calibration against Formazin Standard Solutions				
Rating	IP-66				
Regulation	CE / RoHS				
Compliance	US-EPA	US-EPA <100 ISO >100	US-EPA	US-EPA <100 ISO >100	US-EPA



ST-730 Assembly Diagram



ST-730SS Diagram



Order Information

Turbidity Calibration Standard - 10NTU (500mL)
Turbidity Calibration Standard - 100NTU (500mL)
Turbidity Calibration Standard - 500NTU (500mL)
Turbidity Calibration Standard - 1,000NTU (500mL)
MA-WB Bluetooth® Adapter (7-Pin)
MA-NEB USB Bluetooth® Adapter (Enables uPyxis® Desktop)
PowerPACK 1 (Single Channel Auxiliary Power Supply with Bluetooth®)
PowerPACK 4 (Four Channel Auxiliary Power Supply with Bluetooth®)
ST-001 Tee Assembly Spare (3/4in FNPT Inline Tee)
Sensor Cleaning Kit (500mL + Accessories)
MA-C10 (10ft 7-Pin Extension Cable)
MA-C50 (50ft 7-Pin Extension Cable)

Part Number

57010-4
57010
57010-2
57010-3
MA-WB
MA-NEB
MA-BLE-1
MA-BLE-4
50704
SER-01
50738
50705

Cleaning & Calibration

Pyxis Lab® recommends cleaning and calibrating the ST-730 Series inline sensors at a minimum frequency of once per month. For clean water applications this period may be increased. For heavily contaminated applications, diagnosis, cleaning and calibration may be considered more frequently.

When powered by and connected to the MA-WB (7-Pin) or PowerPACK Series Bluetooth® Adapter options, the ST-730 Series can be wirelessly accessed from any mobile or desktop device using uPyxis®. The app features a live graphical display of the sensors value outputs for Turbidity as well as a sensor calibration function. Once the sensor is properly cleaned it can then be calibrated with Pyxis Lab® Turbidity Calibration Solutions. Contact service@pyxis-lab.com for support...

Calibration & Diagnostics made easy with uPyxis® App

www.pyxis-lab.com/upyxis-app

